



Power Quality Systems

## Hinet XT 10-30 kVA

### Uninterruptible Power Supply



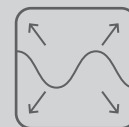
Online Technology



Universal  
Communication Options



Extensible Runtime



Wide Input Voltage  
& Frequency Ranges



Industrial  
Facilities



Data Center  
Rooms



Telecom Facilities



Retail Shop  
Department Stores

## Hinet XT 10-30 kVA

### Uninterruptible Power Supply



In today's Corporations, with their widespread use of information systems, networks and telecommunications, the quality of the power supply is as essential as its continuity. Insufficient or excess voltage, noise, fluctuations in frequency and wave distortion can be as harmful to modern electronic devices as power outages.

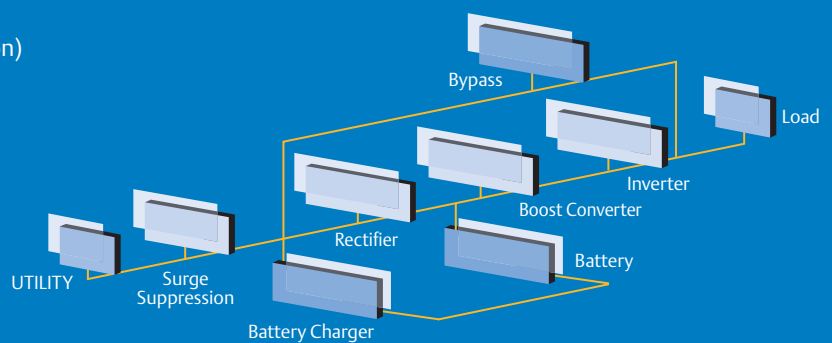
On-line dual conversion technology supplies protected devices with perfectly dependable sinusoidal energy, no matter what the quality of the incoming power supply, offering the best form of protection for all critical loads. The Hinet XT UPS from Emerson Network Power uses this technology to offer the best possible protection for your critical systems.

Connectivity is important too, and Hinet offers communication services (through DB-9 port or the optional SNMP and Web Card) which interface with Liebert's Multilink software to permit UPS monitoring and automatically turn off systems on the various different platform it supports.

#### Benefits

- True on-line, double conversion design
- 3-phase input / 3 or 1-phase output
- Scalable power capability (3-phase output version)
- Scalable internal battery
- Advanced internal monitoring and control
- High performance design
- High efficiency EcoMode
- Support 3:1 crest factor loads without derating
- Static and maintenance bypass
- LCD user interface
- Internal Intellislot port for SNMP and Web Card option
- 1 year warranty + warranty extensions available

#### The On-Line Technology

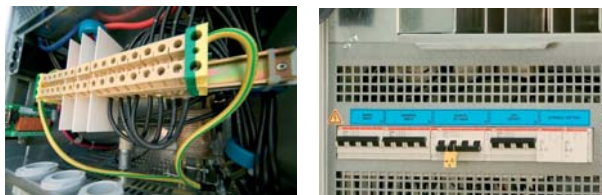


# True On-Line Power For Your Mission Critical Systems



The Hinet XT is designed to provide the highest levels of flexibility and reliability. Many features are built-in as standard, including:

- IGBT pulse width modulated (PWM) inverter to produce closely regulated sinewave power for the load.
- Wide input voltage and frequency range to minimise unnecessary battery usage, helping to ensure that they will be available when needed.
- Easy installation including common or split bypass inputs providing quick connection on site. This allows a second power source (such as a generator or another UPS) to power the bypass, adding redundancy to the system.
- EcoMode to increase efficiency and reduce heat losses when the full benefits of on-line protection is not needed.
- Internal maintenance bypass allows routine servicing without interrupting power to the load.
- Front access only required for maintenance and service reducing the space requirement on site.
- The standard warranty is backed up by support and maintenance from Liebert's world-wide network of service centres staffed by fully qualified engineers.
- Power scalability allows the UPS to be upgraded as your critical system grows (3phase input and output version).

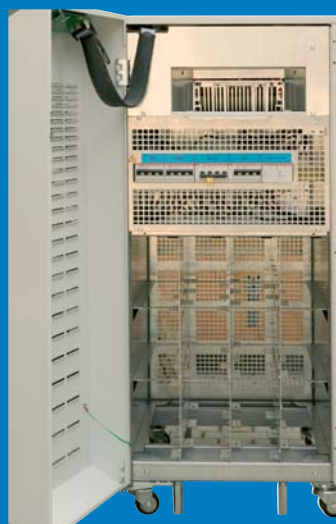


## Benefits

- Internal batteries to reduce on-site installation time and complexity.
- Facility to add extra internal or external batteries when additional backup time is required.

## Communication Features

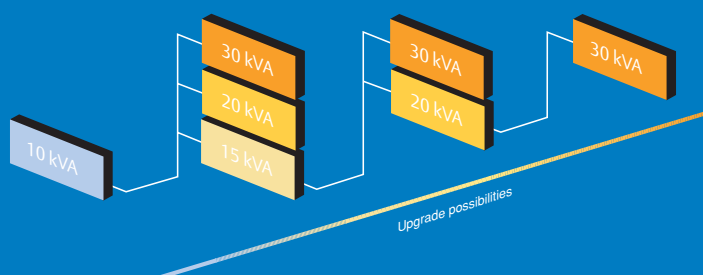
- The new LCD display provides comprehensive information on the UPS and battery status, battery test results, and complete event log with diagnostic features.
- The DB-9 port allows the UPS to use Liebert SiteNet Multilink software to notify individual computers, servers and workstations of the functional status of the UPS and the batteries, handle operating systems shut-downs.



## Options

- Internal insulation transformer.
- Additional internal input filter to reduce the current THD to less than 10%.
- SNMP and Web Card to continuously monitor the UPS status, utilising SNMP protocol.
- Battery cabinet, when internal battery do not provide sufficient autonomy.
- Remote alarm monitor, to allow UPS monitoring.

## Power Scalability with Upgrade Kit (3-phase input and output version)



## Technical Data - [Hinet XT 10-30kVa]

Model	10kVA	15kVA	20kVA	30kVA
Nominal Rating kVA	10kVA	15kVA	20kVA	30kVA
Nominal Rating kW	8kW	12kW	16kW	24kW
Output Power Factor	0,8			
Typical Autonomy	7-10 mm			
<b>Input</b>				
Voltage Range	300V - 480V			
Full Recharge Capability	330V - 480V			
Frequency Range	50/60Hz +-20%			
Power Factor	0,95			
<b>Output</b>				
Voltage	220, 230, 240V (1-phase output) / 380, 400, 415V (3-phase output)			
Voltage Stability	Static balanced load 1% Dynamic (100% load step) 5%			
Voltage Distortion (THD)	<3% (linear load) <5% (3:1 crest factor load)			
Frequency	Nominal 50 / 60Hz Synchronisation range 1 - 4% adjustable Free-running stability 0.005%			
Load Crest Factor	3:1 at full load without derating			
Overload	125% for 10 minutes, 150% for 10 seconds			
<b>Physical</b>				
Size (WxDxH)	530 x 950 x 1220 mm			
Weight (Without Battery)	185 kg	185 kg	185 kg	185 kg
Weight(With Battery)	275 kg	365 kg	365 kg	455 kg
Communications	SNMP and Web Card - Serial - Contact Closure			
Operating Temperature	0° - 40° C (20° C for optional battery lifetime)			
Audible Noise at 1 metre	<52 dBA			
<b>Standards and Approvals</b>				
Safety	EN50091-1-1			
EMC	EN50091-2 Class A			
<b>External Battery Cabinet</b>				
Dimensions (WxLxH) [mm]	740x950x1220			
Typical Autonomy Time [min]	65/125	35/75	25/50	15/30
Weights (with batteries) [kg]	600 / 900			

Approximate discharge times are in minutes and at 25°C with resistive load.

While every precaution has been taken to ensure accuracy and completeness in this brochure, Liebert Corporation assumes no responsibility, and disclaims all liability for damages resulting from use of this information or for any errors or omissions. © 2004 Liebert Corporation. All rights reserved throughout the world. Specifications subject to change without notice. All names referred to are trademarks or registered trademarks of their respective owners.



Liebert HIROSS UPS Headquarters  
Via Gioacchino Rossini,6  
20098 - S.Giuliano Milanese (MI)  
tel.+39 02 982501 fax +39 02 98250337  
info.ups@liebert-hiross.com

Liebert HIROSS Services Headquarters  
Via Leonardo da Vinci,8  
35028 - Piove di Sacco (PD)  
tel.+39.049 9719111 fax +39 049 9719257  
service@liebert-hiross.com

Emerson Network Power Ltd - UK  
Fourth Avenue, Globe Park - Marlow  
Buckinghamshire - SL71YG  
tel. +44 1628 403200 fax +44 1628 403203

<http://ups.liebert-hiross.com>

